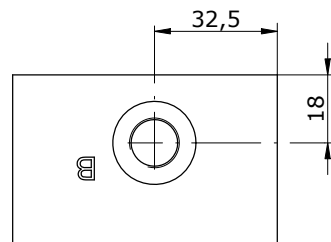
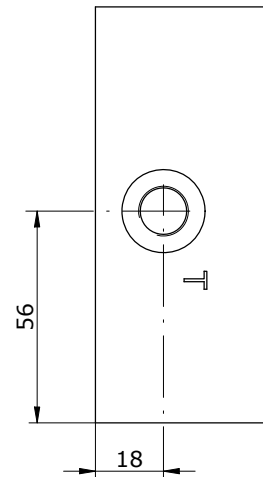
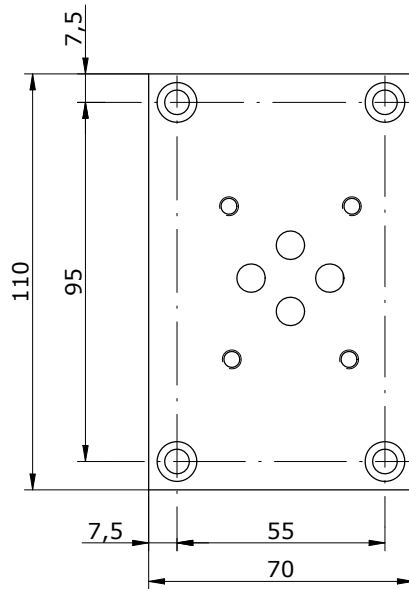
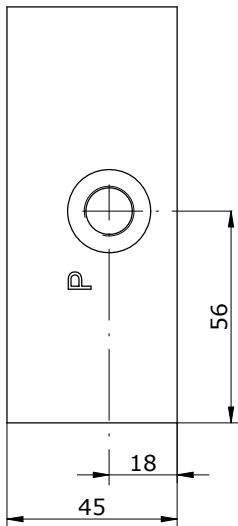
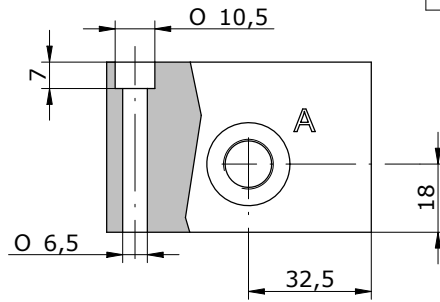
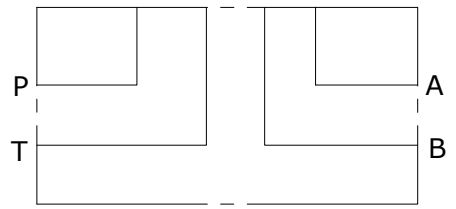


Hydraulic diagram



ES 06 - 09 - 12

S = STEEL

12 = BSP 1/2G